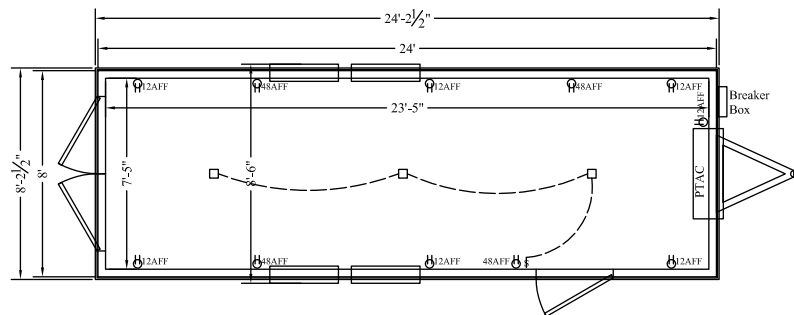


MOBILE POP-UP RETAIL PODS



Pop-Up Retail Pods

- Can be in Any Location
- 250 SF
- Short-Term Leases
- DFW Shopping Center Parking Lots
- Large 10 x 24 Signage Opportunity
- Call for Details or Check [Website](#)



DOYLE MCALPIN Associate
doyle@duwestrealty.com
O: 214.720.0004 | C: 772.834.4489

BLAKE BARNES Associate
blakebarnes@duwestrealty.com
O: 214.720.0004 | C: 972.514.2254

DUWEST

CREATING, ENHANCING & PROTECTING VALUE

DUWESTREALTY.COM

4403 North Central Expressway #200 Dallas Texas 75205 | 214.720.0004